

## Application Information

### Horizontal Form, Fill & Seal Machinery

**Electro Cam Corp. PLμS Programmable Limit Switches are often used on horizontal form, fill & seal machinery to increase production and quality!**

#### Machine Description

As the name implies, a form, fill, and seal machine typically forms a pouch, fills it with product, then seals the pouch. Pouches come in many different shapes and sizes, and are made from a variety of materials including paper, aluminum foil, and plastic film. These machines can handle almost any liquid, cream, paste, granular, pill, tablet or small hard good.

#### Common Problems

Controlling sequence of various machine functions is critical to production performance and efficiency. Traditional controls can be difficult to program, awkward to adjust, and incapable of retaining accuracy at high speed, or variable speed situations.

#### Electro Cam's Solution!

The Electro Cam PLμS Programmable Limit Switch is a state-of-the-art replacement for the older style sequence controllers. It utilizes solid state digital electronics to provide precise sequence control for machine functions. Solid state design eliminates production downtime and erratic performance caused by electro-mechanical switch failure, especially during high speed operation. The PLμS can be used to control fill, vacuum, photo-registration and other critical operations.

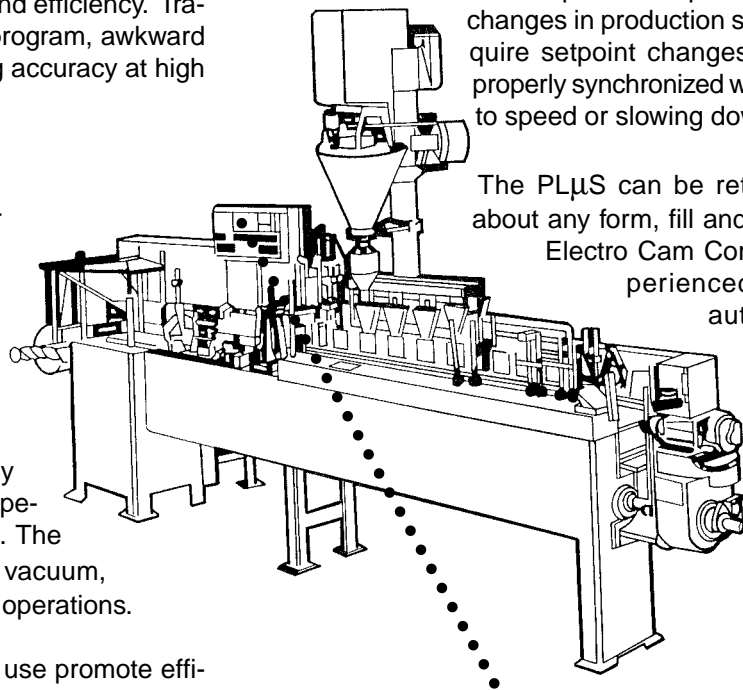
Programming features and ease of use promote efficient packager set up for each application, resulting in optimal performance and efficiency.

The ability to fine tune packager timing while the machine is in operation provides many benefits including: higher machine speed, improved fill accuracy, and

improved pouch pick-off. Multiple program storage allows for virtually instant machine timing changeover for various machine speeds and pouch sizes. For equipment that is frequently changed from product to product this is invaluable.

Speed compensation automatically advances and retards the output setpoints as the machine speeds up and slows down. This feature is particularly valuable when controlling slow moving mechanical devices.

When speed compensation is used, changes in production speed do not require setpoint changes. Outputs are properly synchronized while ramping up to speed or slowing down to a stop.



The PLμS can be retrofitted to just about any form, fill and seal machine.

Electro Cam Corp. is highly experienced in supplying automation solutions to a variety of industrial machinery. For assistance with your application, please contact us.

