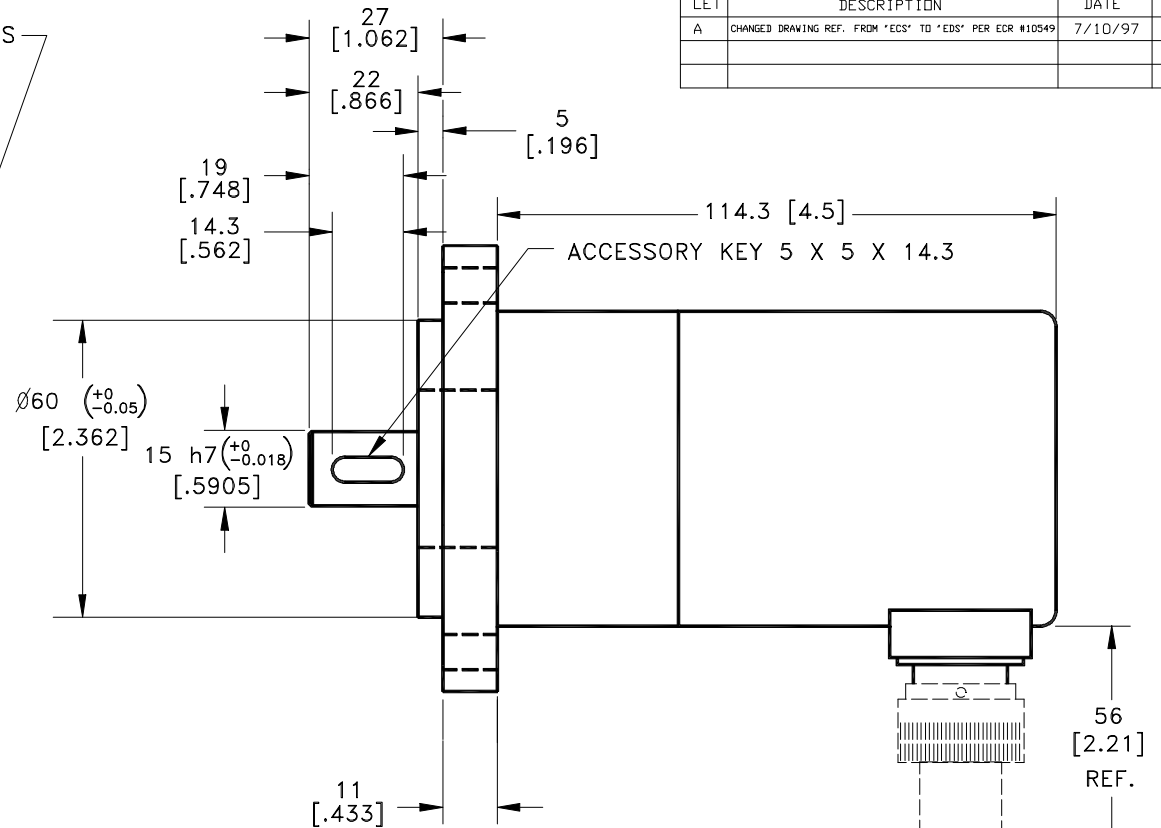
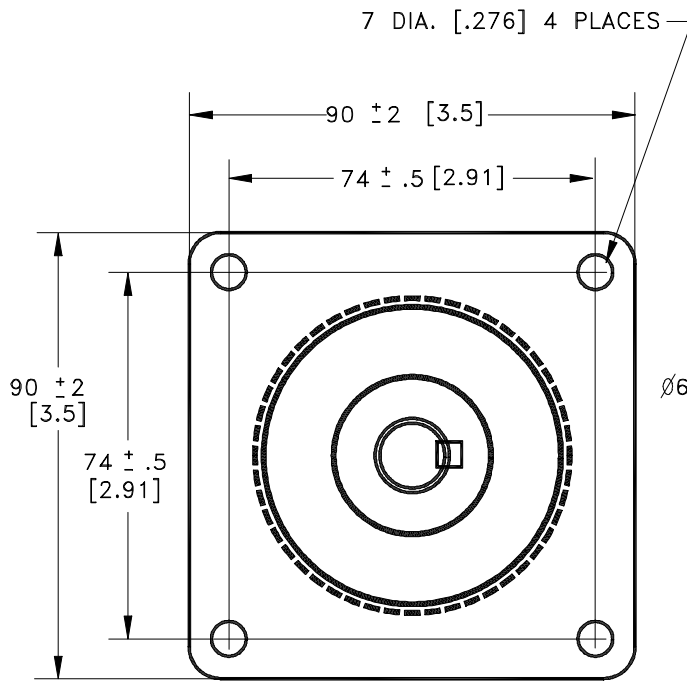
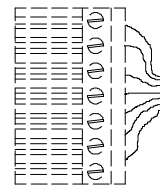


LET	DESCRIPTION	DATE	BY
A	CHANGED DRAWING REF. FROM 'EDS' TO 'EDS' PER EDR #10549	7/10/97	RA



- NOTE: 1) DIMENSIONS IN: mm [inches]
 2) TO REPLACE DENSI SYNVERTER
 3) PART # PS-5215-11-EDS RESOLVER



RESOLVER CABLE
 PS-5300-01-XXX

		13647 METRIC RD ROSCOE ILL, USA 61073 815 / 389-2620	
		SCALE: FULL	DRAWN BY: DEW
DATE: 11/14/91	CHK' D BY:	APP' D BY:	
<h2>PS-5215-11-EDS RESOLVER</h2>			
DWG. #:	B-4307-000-007		ITEM #:
			100-8550-501