

5144/6144/6244/6344 Sourcing Output Transistor Replacement

Check Fuse First If all of the transistor outputs fails to work, check the 1A fuse shown in Figure 18. Also check to be sure that a 10-30VDC power supply is connected to TB 11.

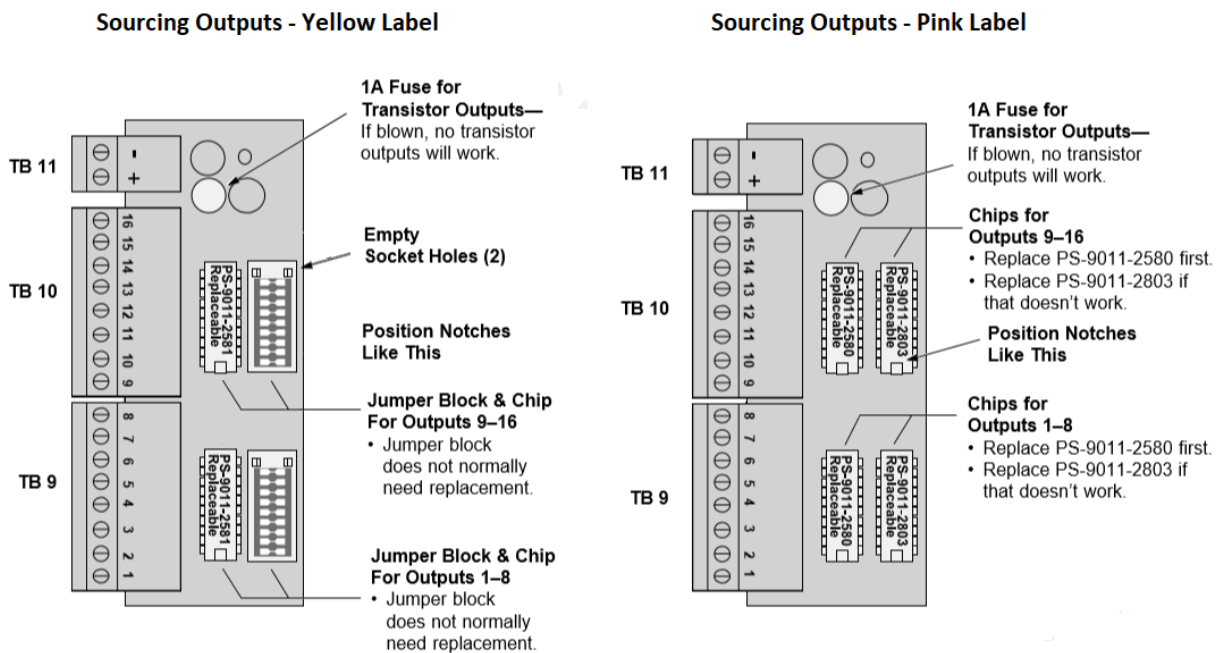
Correct Problems Chips will most likely be damaged by one of two events:

- A short circuit connected to one of the transistor outputs.
- A load exceeding 50 mA connected to one of the transistor outputs.

Before replacing a transistor output chip, fix the problem that damaged it.

Proper Placement When replacing a chip, be sure that all of the pins are properly seated in the socket. Position the notch on the right end of the chip as shown below.

Figure 18



Notes for Controllers with Sourcing Outputs

Starting with date code in 2034, certain units may use output transistor chips with yellow labels and part number PS-9011-2581. You **MUST** replace the socketed chips with the same type or the outputs on your controller will not work. Units with date code 2033 and older will use replacement chips with pink labels and part number PS-9011-2580.

Replacement Part Numbers

| Description | Applies to Model Number | ECC Part # |
|--|--|--------------|
| Replacement Chip – Sourcing Pink Label Controllers date code 2033 and older | PS-5144-24-P16M09, PS-6144-24-P16M09 PS-6244-24-P16M09, PS-6344-24-P16M09 | PS-9011-2580 |
| Replacement Chip – Sourcing Yellow Label Controllers date code 2034 and newer | PS-5144-24-P16M09, PS-6144-24-P16M09 PS-6244-24-P16M09, PS-6344-24-P16M09 | PS-9011-2581 |
| Replacement Chip - Sinking | PS-5144-24-N16M09, PS-6144-24-N16M09 PS-6244-24-N16M09, PS-6344-24-N16M09 | PS-9011-2803 |

If the label has come off your socketed chip, please consult the factory to determine the correct replacement.

There may be additional suffixes on your controller part number. The above applies to all of the base part numbers above, regardless of suffix.